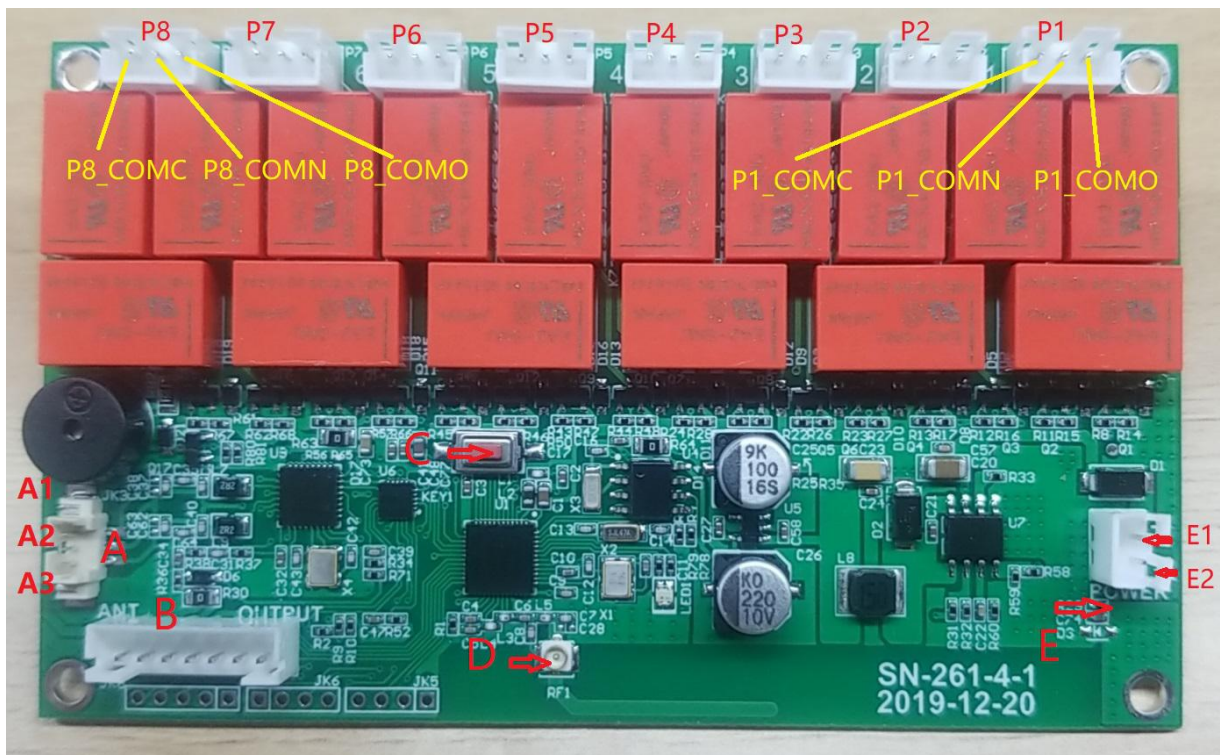


# Elevator Controller User Manual (BLE4.1)

## Introduction

Model:SN-261      Master chip: Nordic 51802

- 1) Unlock with app via BLE technology
- 2) Send e-Key remotely
  - Set the validity period of the e-Key
  - Freeze or unfreeze the e-Key
- 3) Unlock with IC card
- 4) Record unlocking operation on App



## Mainboard

	Description	Remark	
		A	antenna board interface
		A2	RF
		A3	RF
B	cascade board interface		
C	reset button		
D	spare antenna interface		
E	power connector	E1	Power+
		E2	GND
P1	output port	P1_COMC	NC
		P1_COMN	Public
		P1_COMO	NO
.	.	.	.
.	.	.	.
.	.	.	.
P8	output port		



Cascade board

	Description	Remark
INPUT	Inout port	Connect mainboard Cascade board interface or output port of upper level expansion board
OUTPUT	Output port	Connect the input port of Next level expansion board or keep dangling
EXP1	Control output port	Same with mainboard P1
.	.	.
.	.	.
.	.	.
REXP8	Control output port	



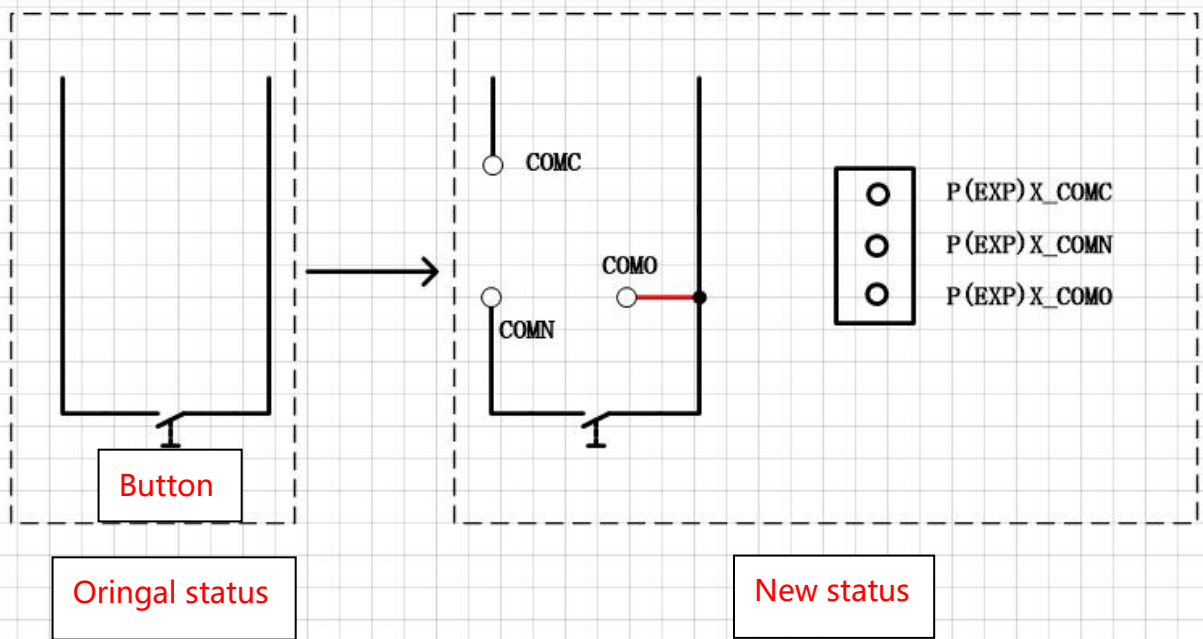
Front panel



Back panel

	Description	Remark
EXA	antenna interface	Connect A of mainboard with 3pin cable





## 一、Parameter

Bluetooth standard	4.1BLE
Mobile phone	Android 4.3 / IOS7.0
Power supply	DC Power
Voltage range	9~16V
Stand-by current	10 mA
Working current	<400 mA
Operating temperature	-20~70°C
Card type	MIFARE M1 S50
Unlocking	App & IC card

## Operation points

1. Reset	Long press the reset button to factory state
2. Add admin	Touch the front panel to enable the mainboard Add admin on app
3. Delete admin	Delete the equipment on app
	<b>Notice: Delete the admin on app, the elevator controller will be back to factory state</b>
4. Add IC card	Operate on TTHotel app
5. Delete IC card	Operate on TTHotel app
6. Modify card valid period	Operate on TTHotel app
7. Use of elevator controller	<b>Notice: stand nearby the controller to add admin and operate.</b>
	<b>IC card</b> 1. Room card ( for one specific room) 2. Hotel Master card ( for all floors) 3. Building card ( for one specific building) 4. Floor card ( for one specific floor) 5. Customized card ( for some specific rooms)

### App - TTHotel



Scan to download the app